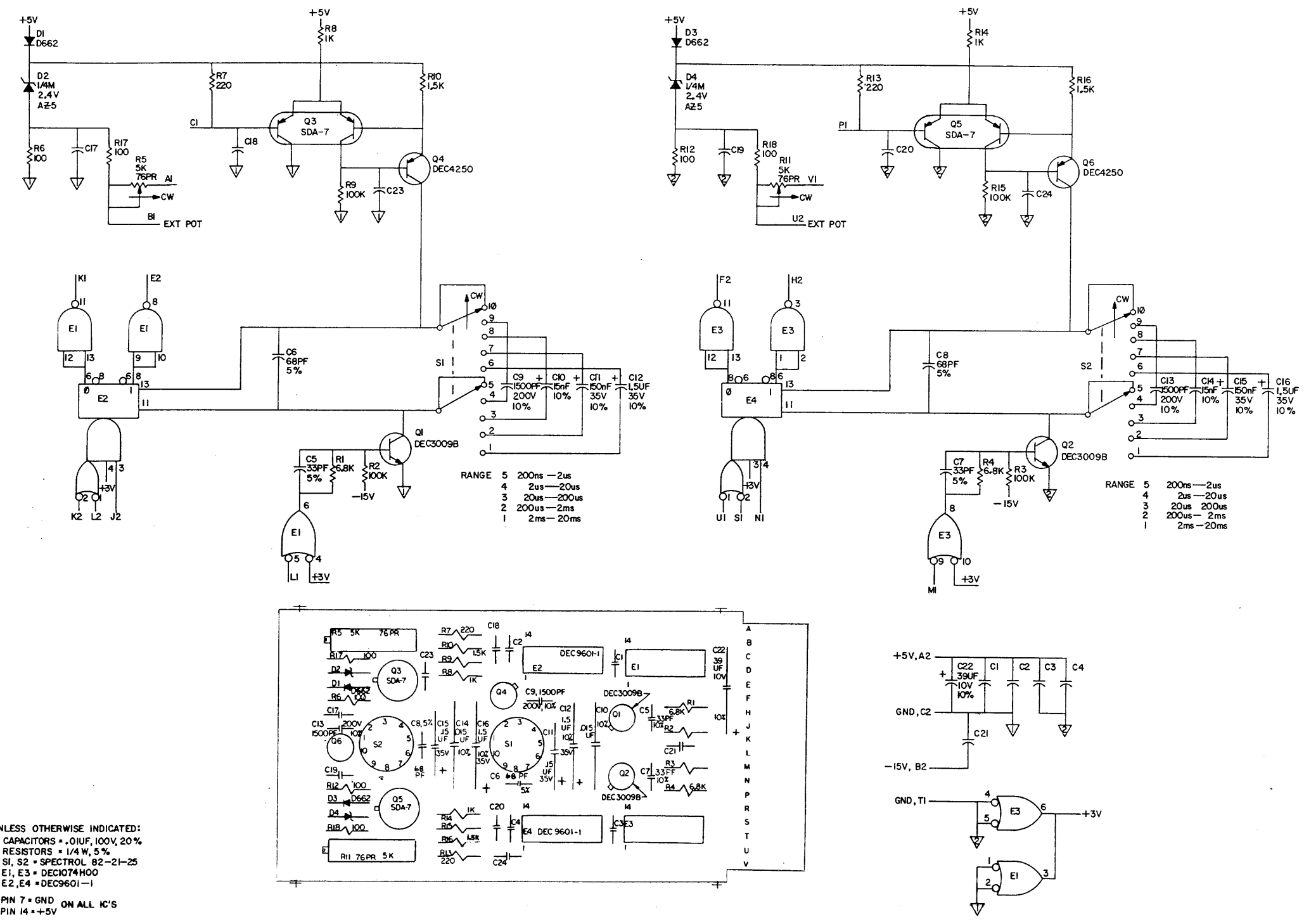


THIS SCHEMATIC IS FURNISHED ONLY FOR TEST AND MAINTENANCE PURPOSES. THE CIRCUITS ARE PROPRIETARY IN NATURE AND SHOULD BE TREATED ACCORDINGLY. COPYRIGHT 1971 BY DIGITAL EQUIPMENT CORPORATION.

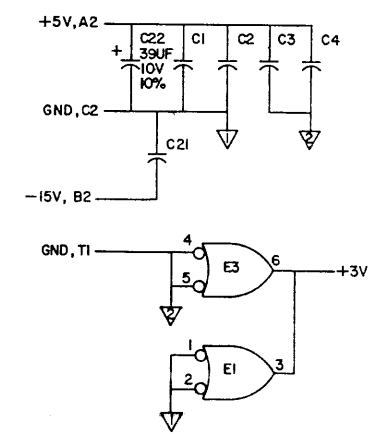
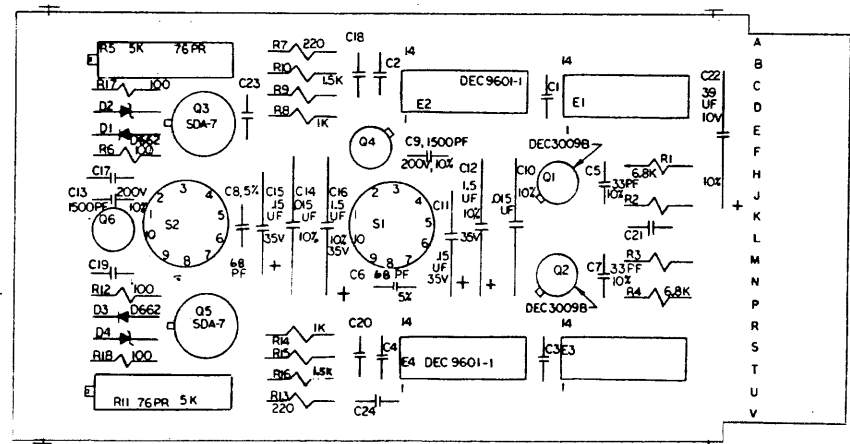


UNLESS OTHERWISE INDICATED:
CAPACITORS = .01UF, 100V, 20%
RESISTORS = 1/4 W, 5%
S1, S2 = SPECTROL B2-21-25
E1, E3 = DEC1074H00
E2, E4 = DEC9601-1
PIN 7 = GND ON ALL IC'S
PIN 14 = +5V

RANGE 5 200ns - 2us
4 2us - 20us
3 20us - 200us
2 200us - 2ms
1 2ms - 20ms

RANGE 5 200ns - 2us
4 2us - 20us
3 20us - 200us
2 200us - 2ms
1 2ms - 20ms

29	9008337-06	HANDLE, FLIP CHIP - MAGENTA	1
28	9006732	EYELET #GS4-7	2
27	1910407	I.C. DEC 9601-1	2
26	1910462	I.C. DEC1074H00	2
25	1509142	TRANSISTOR 2N4250	2
24	1403100	TRANSISTOR DEC 3009B	2
23	1501901	TRANSISTOR SDA-7-S	2
22	1309143-09	POTENTIOMETER 5K 76PR 3/4W 10%	2
21	1302466	RES. 100K 1/4 5%	4
20	1301423	RES. 6.8K 1/4 5%	2
19	1300391	RES. 1.5K 1/4 5%	2
18	1300365	RES. 1K 1/4 5%	2
17	1300271	RES. 220 1/4 5%	2
16	1300229	RES. 100 1/4 5%	4
15	1209806	SWITCH, SPECTROL 87-21-25	2
14	1101938	DIODE 1/4 2.4 AZ5	2
13	1100113	DIODE D662	2
12	1009725	CAP. 1.5UF 35V 10%	2
11	1002630	CAP. .015UF 100V 10%	2
10	1002180	CAP. .15UF 35V 20%	2
9	1001610	CAP. .01UF 100V 20%	11
8	1000076	CAP. .39UF 10V 10%	1
7	1000054	CAP. 1500PF 200V 10%	2
6	1000014	CAP. 68PF 100V 5%	2
5	1000009	CAP. 33PF 100V 5%	2
4	5009544	ETCHED CIRCUIT BOARD	1
3	B-VH-3070-0-6	MODULE ECC HISTORY	
2	C-AH-3070-0-5	ASSY/DRIVING HOLE LAYOUT	
1	K-CC-3070-0-4	X- COORDINATE HOLE LOCATION	
ITEM NO.	DEC PART NO.	DESCRIPTION	QTY



REV	DATE	BY	CHKD
1	12/75

DATE	12/75
DATE	...

TRANSISTOR & DIODE CONVERSION CHART			
DEC	EMA	DEC	EMA
D662	1N463	AZ5	1N4370
DEC4250	2N4250	SDA-7	...
DEC3009B	2N3009

digital INTEGRATING ONE SHOT
EQUIPMENT CORPORATION
MILITARY DIVISION
M3070-0-1
REV C